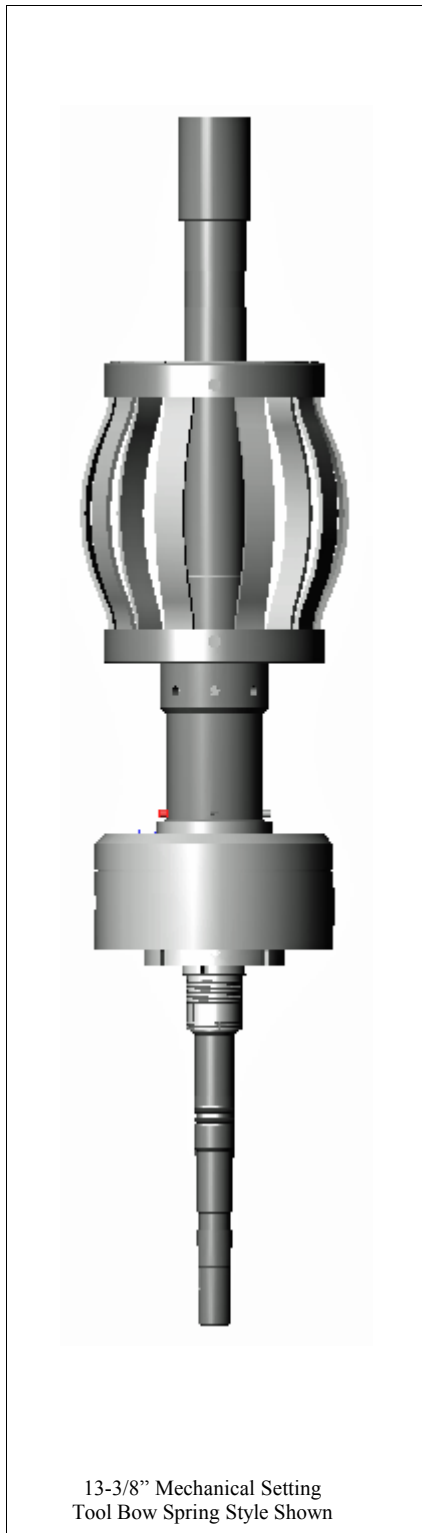


# MECHANICAL BOW SPRING SETTING TOOL



13-3/8" Mechanical Setting Tool Bow Spring Style Shown

## DESCRIPTION

The WYOMING COMPLETION TECHNOLOGIES Mechanical Setting Tools are dependable tools for setting cement retainers and cast iron bridge plugs. They are now available in drag block or bow spring styles. With a built-in snap latch and stinger seal, these tools will latch into a retainer with set-down weight and release with up-strain or right-hand turn.

## FEATURES/BENEFITS

- Built-in stinger for setting cement retainers
- Simple alteration for setting bridge plugs
- Drag Block or Bow Spring Centralizer
- Latch with set-down weight
- Set with left-hand rotation
- Release with right-hand rotation and/or up-strain

## TECHNICAL DATA

PRODUCT #	CASING				TOOL OD
	OD	ID MAX.	ID MIN.	Weight	OD
	Inches mm	Inches mm	Inches mm	Lb/Ft Kg/m	Inches mm
<b>43MST-B</b>	4-1/2 114.3	4.09 103.88	3.754 95.35	9.5 – 16.6 14.14 – 24.7	3.59 91.19
<b>45MST-B</b>	5-1/2 139.7	5.04 128.11	4.67 118.61	13 – 23 19.34 – 34.23	4.31 109.47
<b>46MST-B</b>	6-5/8 168.3	5.92 150.4	5.675 144.14	17 – 32 25.3 – 47.62	5.37 136.398
<b>47MST-B</b>	7 177.8	6.538 166.07	6.004 152.50	17 – 35 25.3 – 52.09	5.68 144.272
<b>48MST-B</b>	7-5/8 193.7	7.125 180.975	6.625 168.27	20 – 39 29.76 – 58.04	6.31 160.27
<b>49MST-B</b>	8-5/8 219.1	8.097 205.66	7.511 190.78	24 – 49 35.72 – 72.92	7.12 108.85
<b>51MST-B</b>	9-5/8 244.5	9.063 230.20	8.435 214.25	29.3 – 58.4 43.60 – 86.91	8.12 106.25
<b>55MST-B</b>	13-3/8 339.7	12.215 310.26	12.715 322.96	48 – 80.7 71.43 – 120.1	11.88 301.752

## WYOMING COMPLETION TECHNOLOGIES, INC.

1110 ROAD 9 PO BOX 46  
 POWELL, WYOMING 82435  
 PHONE: (307) 754-5429 FAX: (307) 754-5927  
 E-MAIL: HECHTS@DIRECTAIRNET.COM  
 WEB: WCT.DIRECTAIRNET.COM